

## HC-SD Proportional Hydraulic Bank

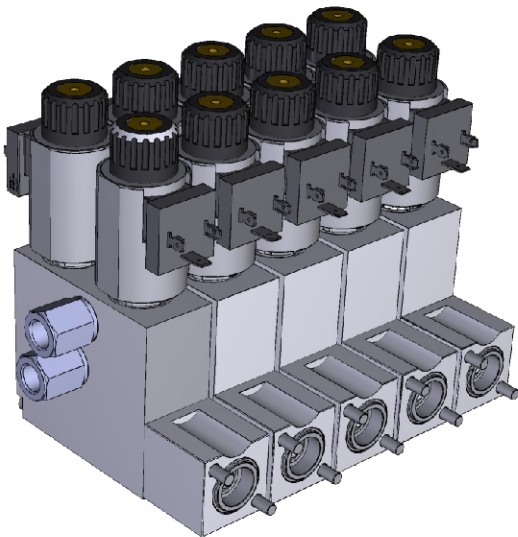
The servo control HC-SD is a block of modular hydraulic pistons, electrically controlled by a couple of proportional valves, with mechanical feedback.

The product has a high reliability thanks to careful engineering and production process carried out with the most advanced technologies.

The installation of this block adds to a manual hydraulic valve the remote control, by cable or by radio.

The specific design made for the direct connection to the back of the valve allows a more precise handling of the machine compared to traditional installations of retrofit modules on the dual control rods.

Assembled banks are available up to 8 functions, without spaces between sections.



### Electrical specifications:

Power supply: 12V or 24V  
 Working current range: 600 ÷ 1600 mA (12V)  
 230 ÷ 830 mA (24V)  
 Frequency: 60 Hz  
 Working temp. range: -20 ÷ +60 °C

### Hydraulic / mechanical specifications:

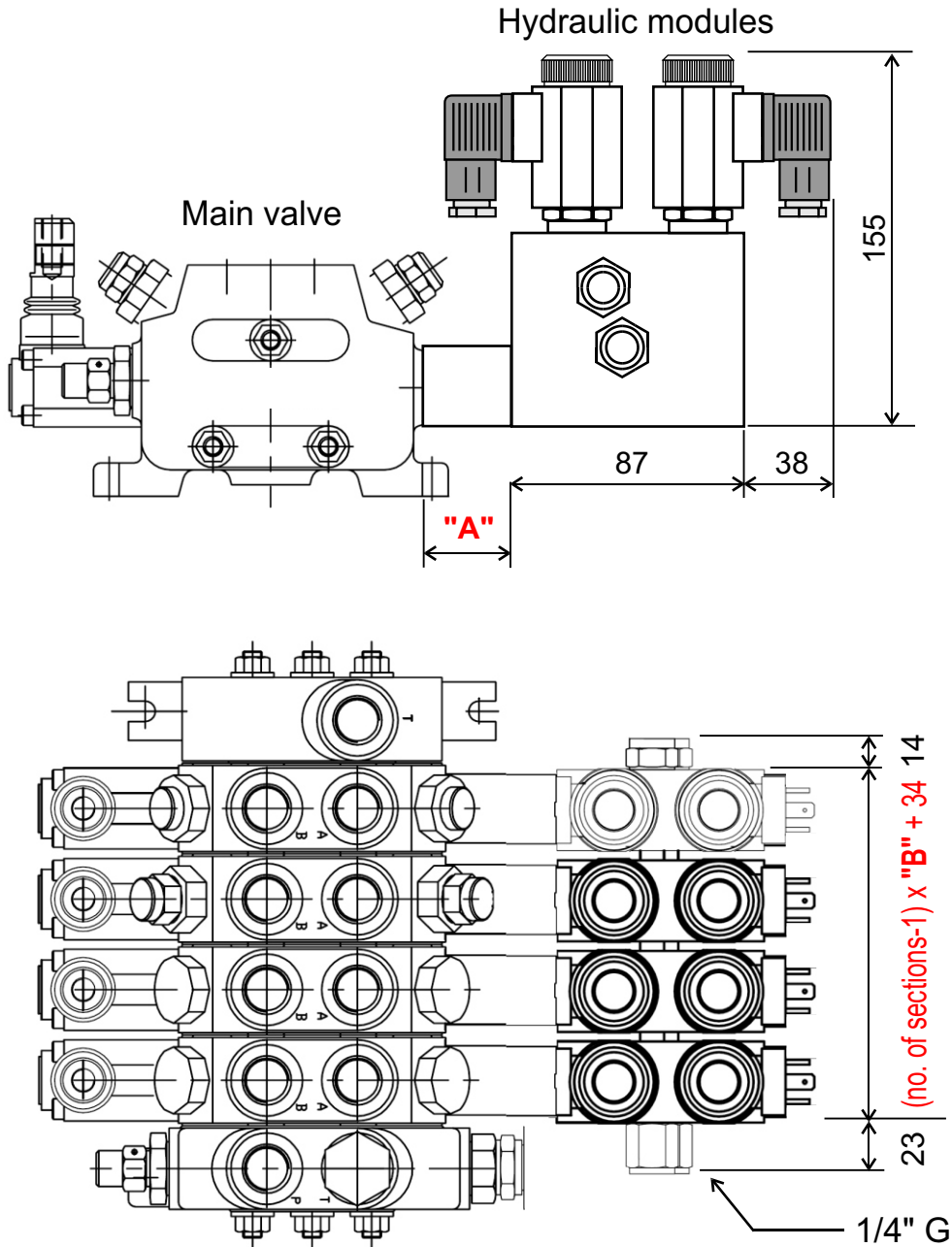
Feedback: Mechanical  
 Fluid type: Mineral oil 10 ÷ 200 cSt  
 Filtration: 10 micron  
 Max blow-by: 100 cc/minute  
 Max working pressure: 30 bar  
 Max thrust: 1300 N (at 30 bar)  
 Weight (each section): 1.6 kg approx. (per section)  
 Dimensions: See page 2  
 Connections: G1/4" BSPP

Banks are available for the following manufacturers:

MODEL*	VALVE MANUFACTURER
HCD3	Hydrocontrol
HCD3M	Hydrocontrol
HCM50	Hydrocontrol
HCD4**	Hydrocontrol
HCD6	Hydrocontrol
SD5	Walvoil
SD6	Walvoil
SD8	Walvoil

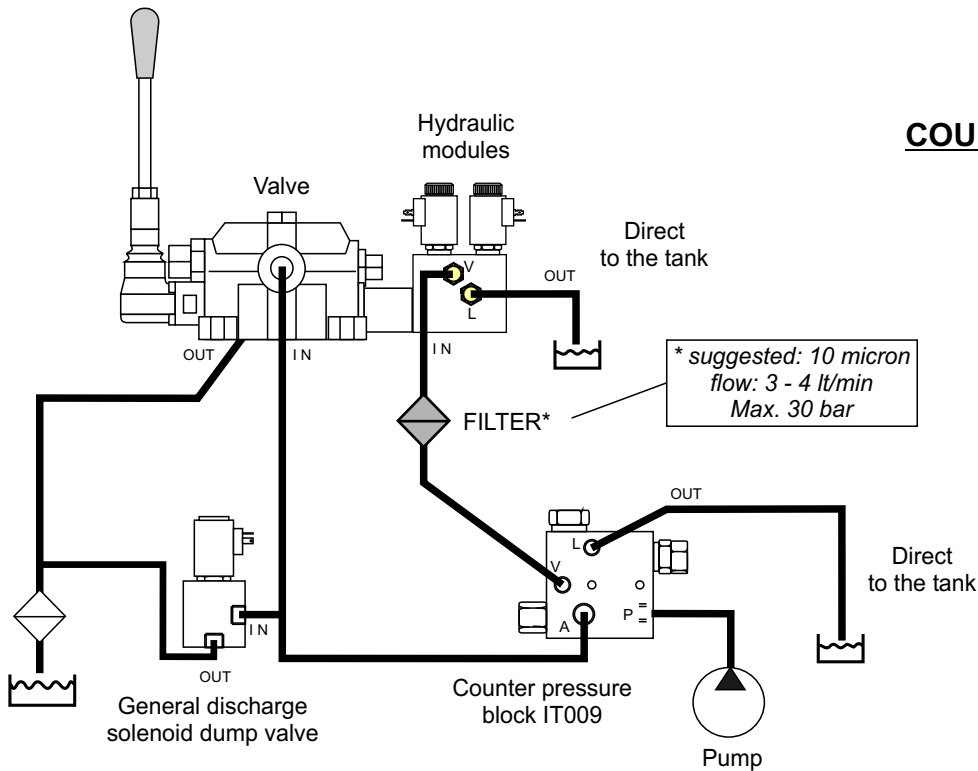
\* For availability of other models please contact our sales department.

\*\* HCD4 version is available with 6 or 10 mm joint screw thread (to be specified in case of order).



Type of valve	Dimension "A" (mm)	Interaxis "B" (mm)
<b>HCD3</b>	39	38
<b>HCD3M</b>	39	38
<b>HCM50</b>	39	35
<b>HCD4</b>	40	40
<b>HCD6</b>	51	46
<b>SD5</b>	37	37
<b>SD6</b>	37	38
<b>SD8</b>	50	41

INSTALLATION EXAMPLE  
OF THE HYDRAULIC  
BANK WITH A  
**COUNTER PRESSURE BLOCK**



INSTALLATION EXAMPLE  
OF THE HYDRAULIC  
BANK WITH A  
**MINI PUMP UNIT**

